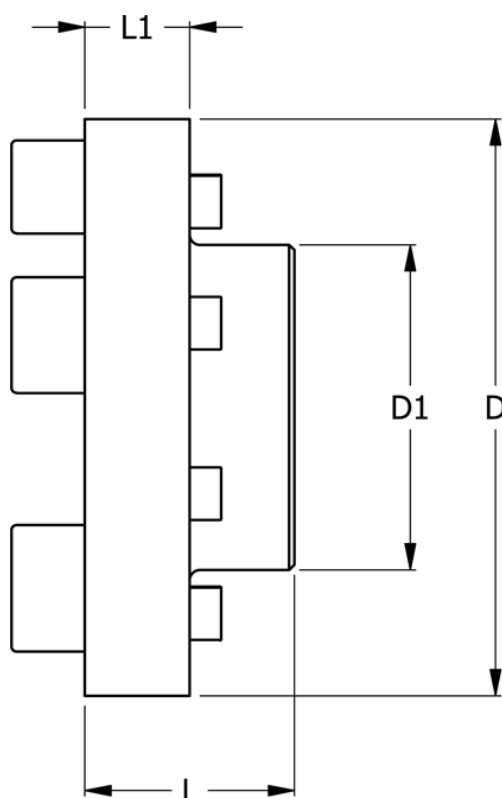


Article number: 330640023A
Description: Coupling N-Eupex str. 400
Part 2 & 3 without bore

Measures



D	= 400
D1	= 250
L	= 160
L1	= 56
Max bore	= 150
Torque (N m)	= 10300